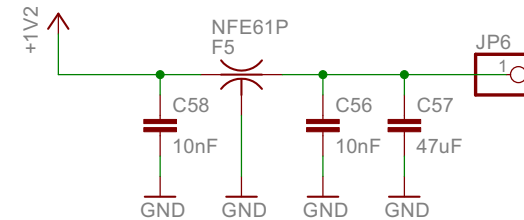
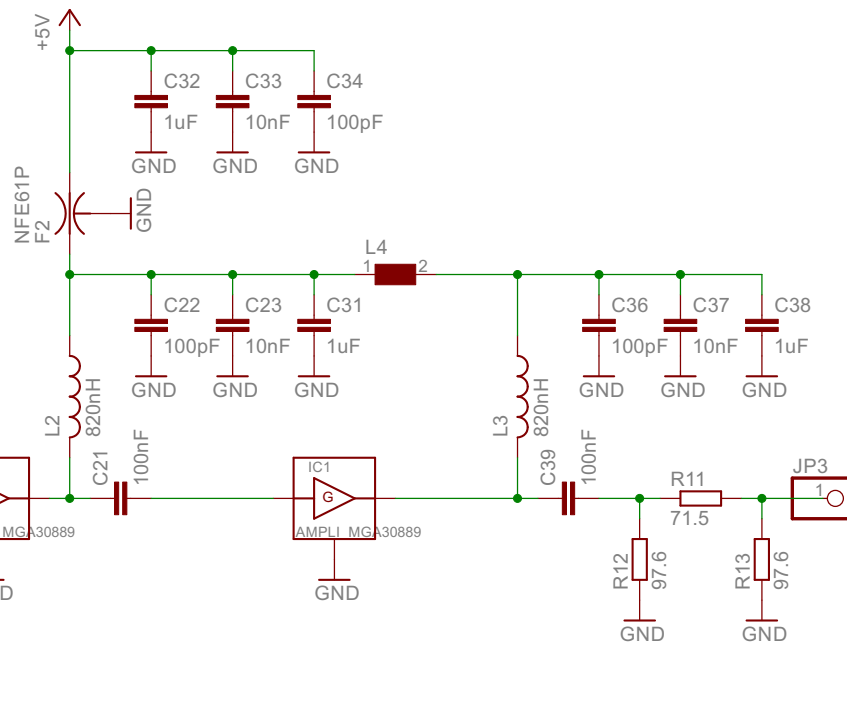
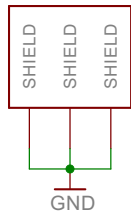
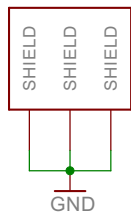
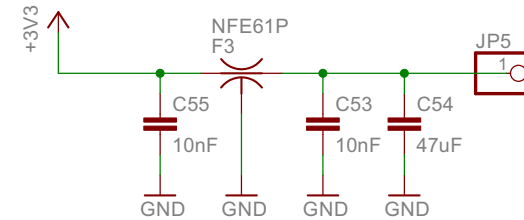
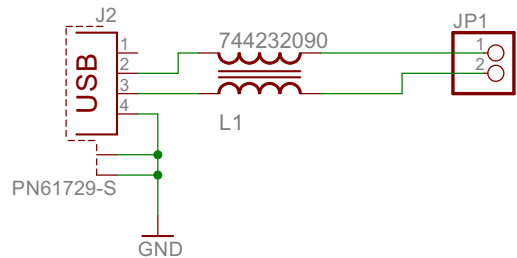
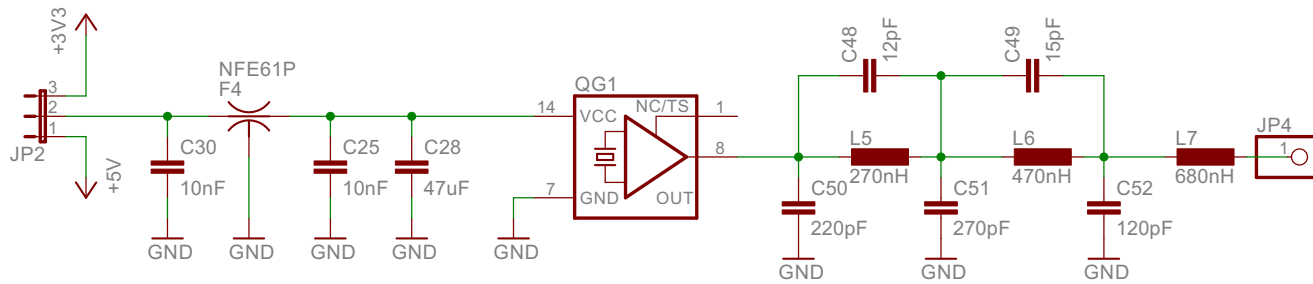


<b>Désignation : Hardware CANFI</b> Noise source controlled power supply +28V		<b>F4CTZ</b> Fabien PELLET France 13720 - JN23TK	
Date : 28/01/2016		Référence v1	Indice



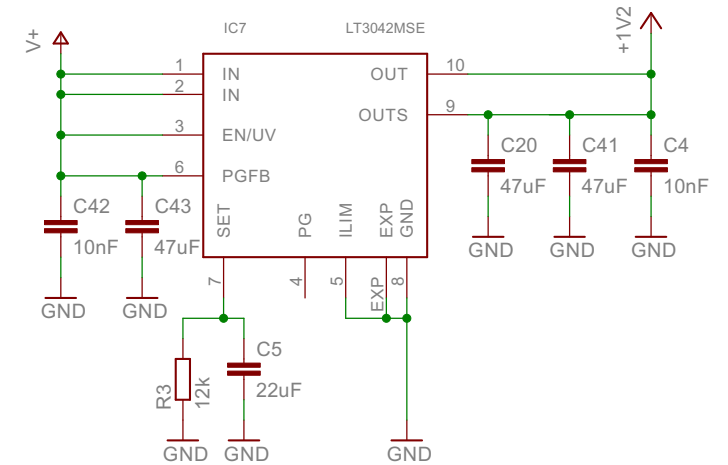
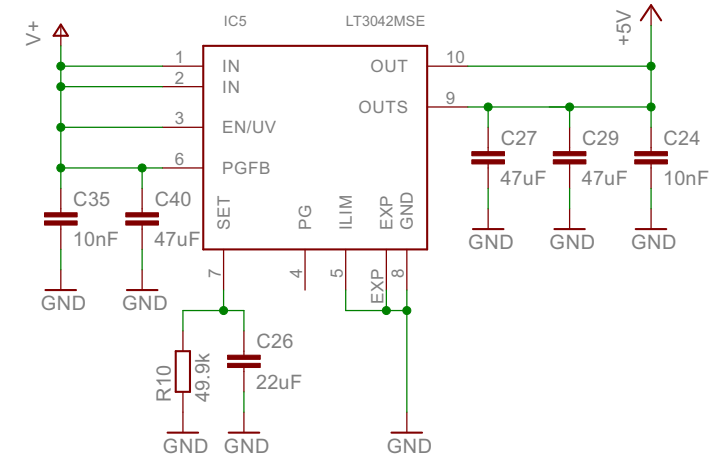
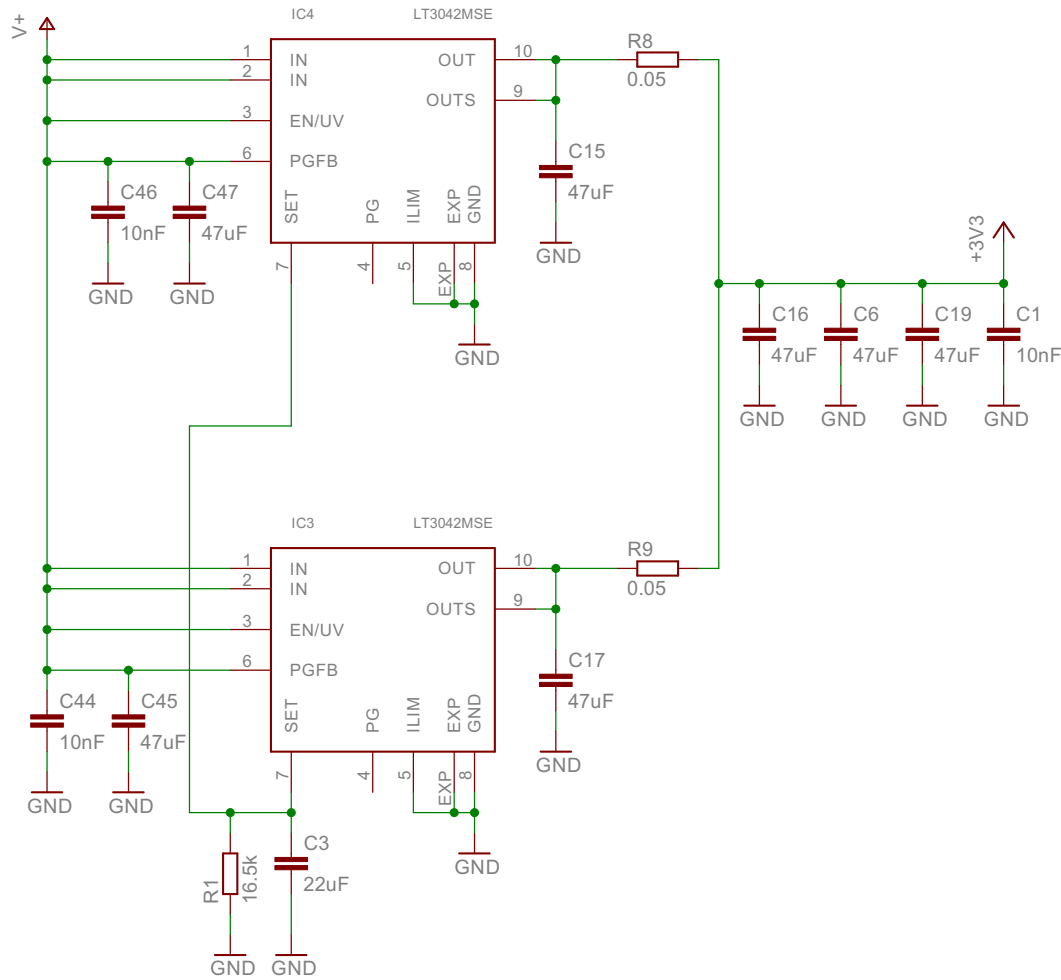
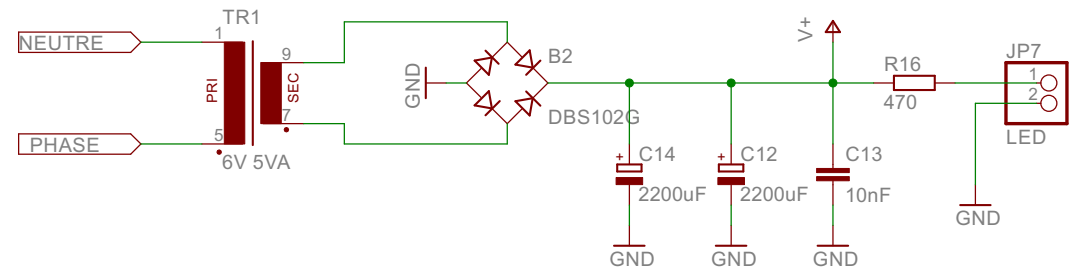
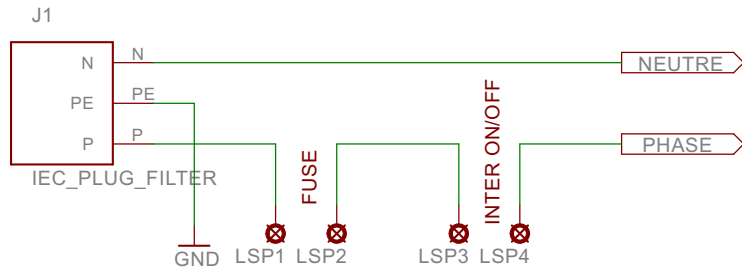
Désignation : **Hardware CANFI**  
Shieldings / TCXO / EMI USB / SDR dongle

**F4CTZ**  
Fabien PELLET  
France 13720 - JN23TK

Date : 28/01/2016

Référence  
v1

Indice



Désignation : **Hardware CANFI**  
Main supply / Power supply

F4CTZ  
Fabien PELLET  
France 13720 - JN23TK

Date : 28/01/2016

Référence  
v1

Indice

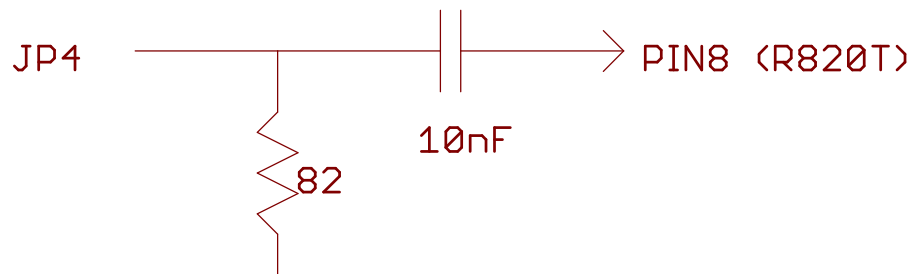
Box Hammond 1455N1201 : MOUSER = 546-1455N1201 ; RADIOSPARES = 773-2987 ; Farnell = 4272900

R820T dongle mods :

- Remove USB, LED, IR, Self L7 (4R7), crystal Y2 and its 2 capacitors, Regulator U4 (3,3V)
- Cut track on pin 27 from RTL2832 ; connect pin27 to ground
- Add ceramic capacitors :
  - 10nF + 22uF on 1,2V in place of L7
  - 47uF near C1
  - 10nF + 22uF on track just before L4
  - 10nF on track just before L5
  - 47uF + 10nF near C2
  - 47uF in place of U4

TCXO QG1 is 28.8Mhz 0.5ppm from Ebay : 151723032325 item or 111792774027 item

-> this schematic for connecting the filtered TCXO output to R820T :



Désignation : **Hardware CANFI**  
Remarks

F4CTZ  
Fabien PELLET  
France 13720 - JN23TK

Date : 28/01/2016

Référence  
v1

Indice